



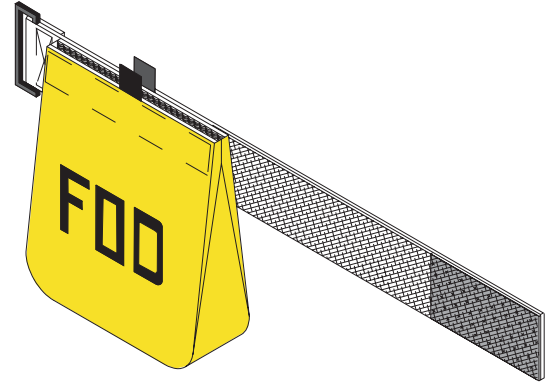
FOD PRODUCTS

FC-FCP-1

Personal FOD Bag

7.5 x 7.5 x 2.5

Made of rugged 400 denier neon yellow pack cloth, backed with a 20 gauge PVC Liner . Hook and Loop closure, and an adjustable waist belt. Other colors available upon request.

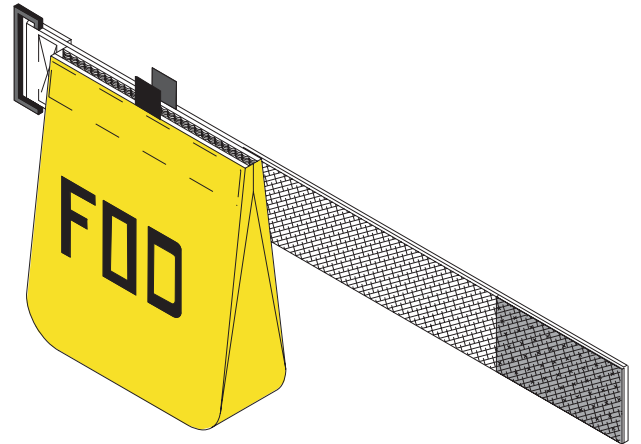


FC-FCP-2

Personal FOD Bag

9.5 x 9.5 x 3.5

Made of rugged 400 denier neon yellow pack cloth, backed with a 20 gauge PVC Liner . Hook and Loop closure, and an adjustable waist belt. Other colors available upon request.

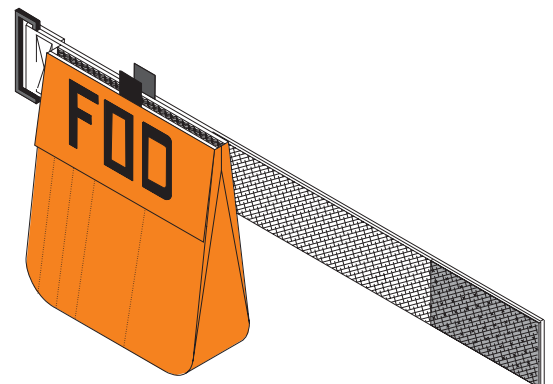


FC-FCP-3

Personal FOD Inspectors Bag

7.5 x 7.5 x 2.5

Made of rugged 400 denier neon orange pack cloth, backed with a 20 gauge PVC Liner . Hook and Loop closure, and an adjustable waist belt. Individual pockets for gauges, flashlight, mirror, etc. Other colors available upon request.





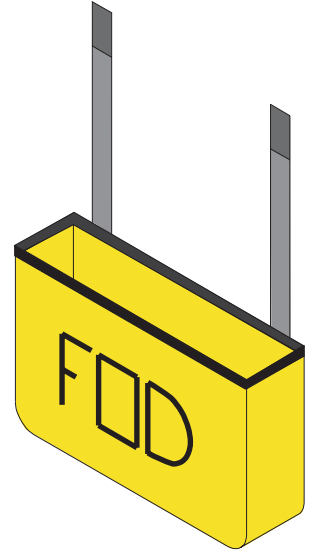
FOD PRODUCTS

FC-FDP-1

Hanging FOD Bag

12 x 8 x 3.5

Made of rugged 400 denier neon yellow pack cloth, backed with a 20 gauge PVC Liner . Adjustable hook and Loop hang straps. Other colors available upon request.

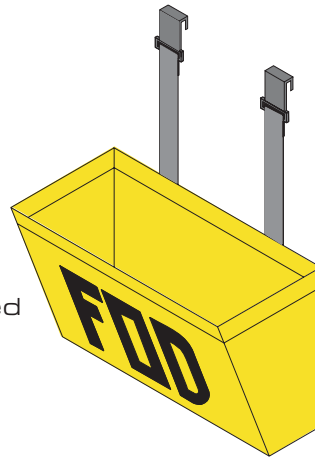


FC-FDP-2

Hanging FOD Bag

12 x 5 x 3.5

Made of rugged 400 denier neon yellow pack cloth, backed with a 20 gauge PVC Liner . Adjustable web strap with vinyl coated metal hook for hanging. ABS reinforced opening. Other colors available upon request.

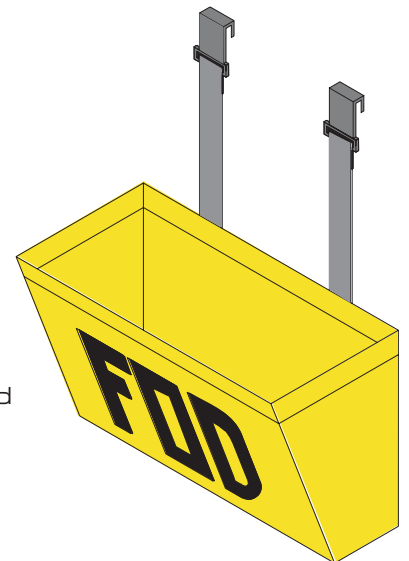


FC-FDP-3

Hanging FOD Bag

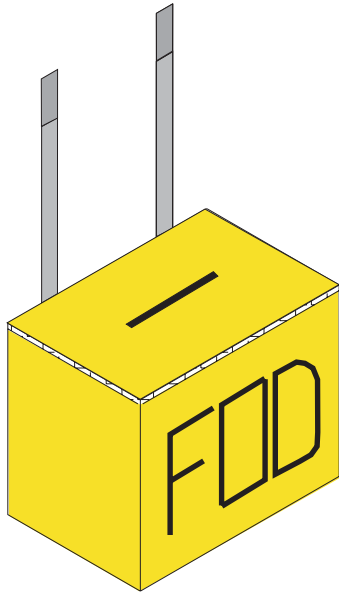
16 x 12 x 8

Made of rugged 400 denier neon yellow pack cloth backed with a 20 gauge PVC Liner . Adjustable web strap with vinyl coated metal hook for hanging. ABS reinforced opening. Other colors available upon request.





FOD PRODUCTS

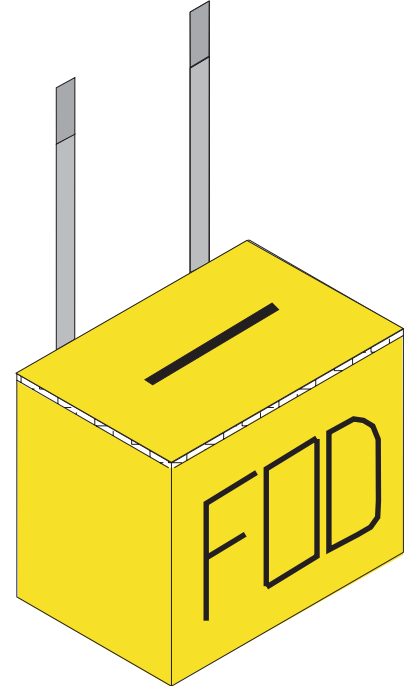


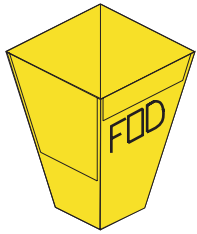
RB-12108
Ramp FOD Bag
12 x 10 x 8

400 denier neon yellow nylon pack cloth exterior. 1/8 inch closed cell foam padding for rigidity, and then backed with a 20 gauge PVC Liner . Hook and Loop type hang straps. Other colors available upon request.

RB-161210
Ramp FOD Bag
16 x 12 x 10

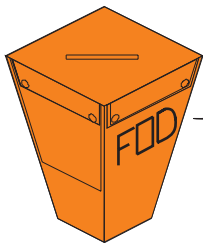
400 denier neon yellow nylon pack cloth exterior. 1/8 inch closed cell foam padding for rigidity, and then backed with a 20 gauge PVC Liner . Hook and Loop type hang straps. Other colors available upon request.





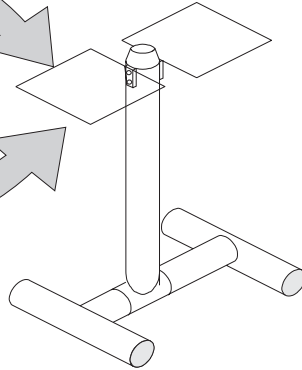
FC-C915-1
CONE FOD BAG
9x9x15" DEEP

AVAILABLE IN
NEON YELLOW
OR NEON ORANGE

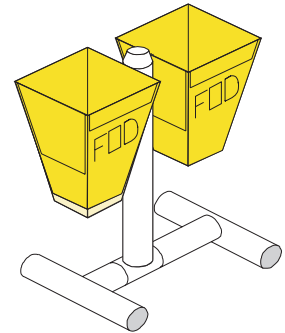


FC-C915-2
CONE FOD BAG
9x9x15" DEEP
COVERED

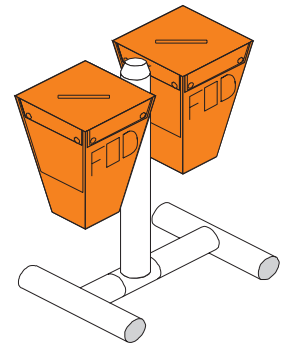
FC-TS-1



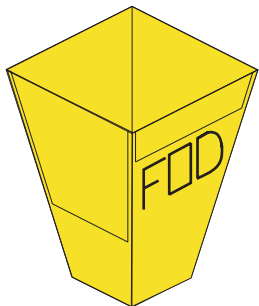
TREE STAND
FOR FC-C915-1 AND 2
PVC PIPE WITH METAL HARDWARE



FC-C915-1 W/FC-TS-1

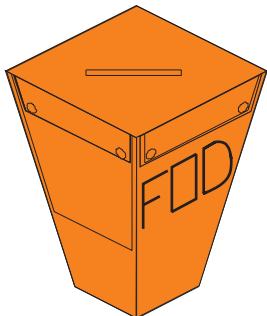


FC-C915-2 W/FC-TS-1



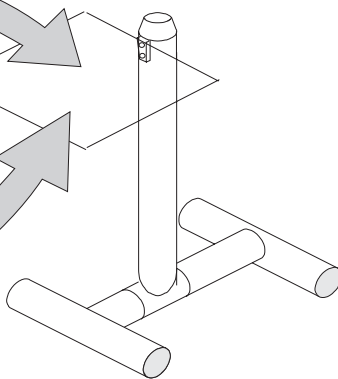
FC-C1530-1
CONE FOD BAG
15x15x30 DEEP

AVAILABLE IN
NEON YELLOW
OR NEON ORANGE

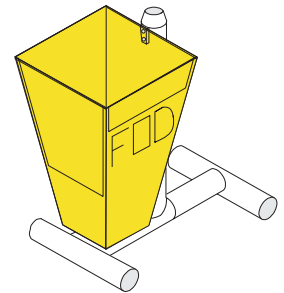


FC-C1530-2
CONE FOD BAG
15x15x30 DEEP
COVERED

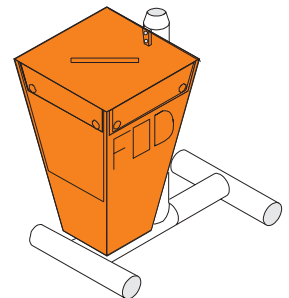
FC-TS-2



TREE STAND
FOR FC-C1530-1 AND 2
PVC PIPE WITH METAL HARDWARE

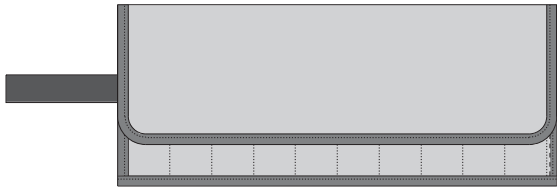


FC-C1530-1 W/FC-TS-2

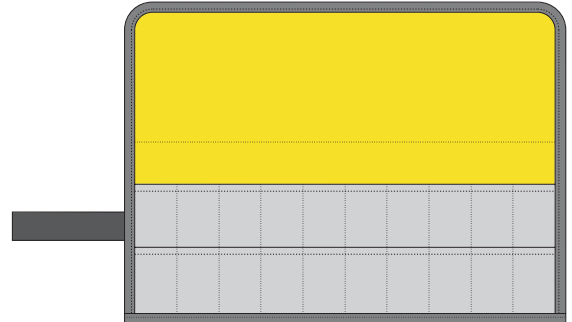


FC-C1530-2 W/FC-TS-2

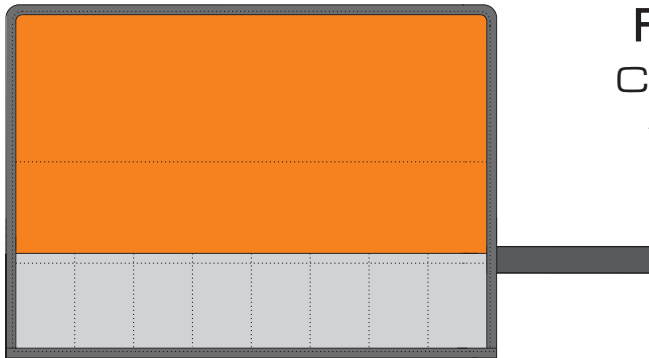
FOD PRODUCTS



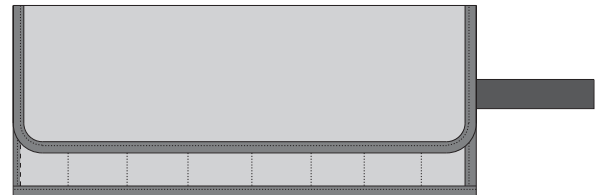
FC-DB-1
Drill Bit Bag
16 x 11.5



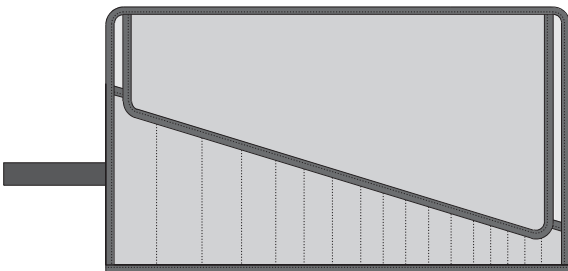
Black cordura nylon exterior, lined with florescent nylon pack cloth. Holds both small and large drill bits in two levels of 10 individual pockets. Flap folds over to protect bits and can be rolled up and secured with hook and loop closure.



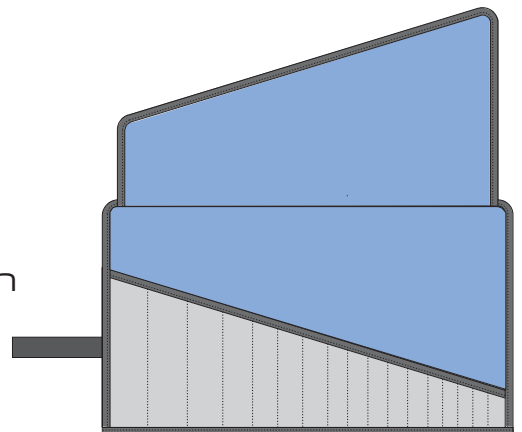
FC-CP-1
Cleco Pouch
16 x 11.5



Black cordura nylon exterior, lined with florescent nylon pack cloth. Holds clecos in 8 individual pockets. Flap folds over for protection and can be rolled up and secured with hook and loop closure.



FC-WP-1
Wrench Pouch
16 x 11.5



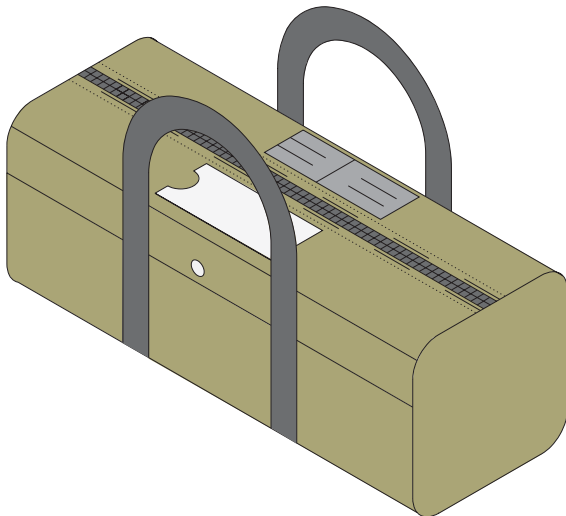
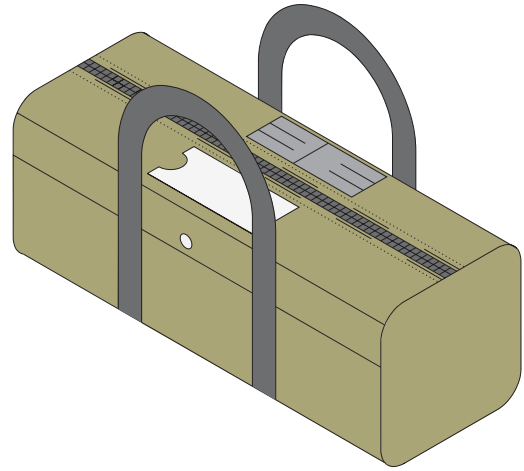
Black cordura nylon exterior, lined with florescent nylon pack cloth. Holds both SAE and Metric large drill bits in two levels of 10 individual pockets. Flap folds over to protect bits and can be rolled up and secured with hook and loop closure.

PTP-TB-1

Tool Bag

12 x 5 x 5

1000 denier black cordura nylon . Two exterior pockets with snap closures. Elastic pencil holders and clear name tag holder. Other colors available upon request.



PTP-TB-2

Tool Bag

17 x 6 x 6

1000 denier black cordura nylon . Two exterior pockets with snap closures. Elastic pencil holders and clear name tag holder. Other colors available upon request.

PTP-CB-1

Cleco Bag

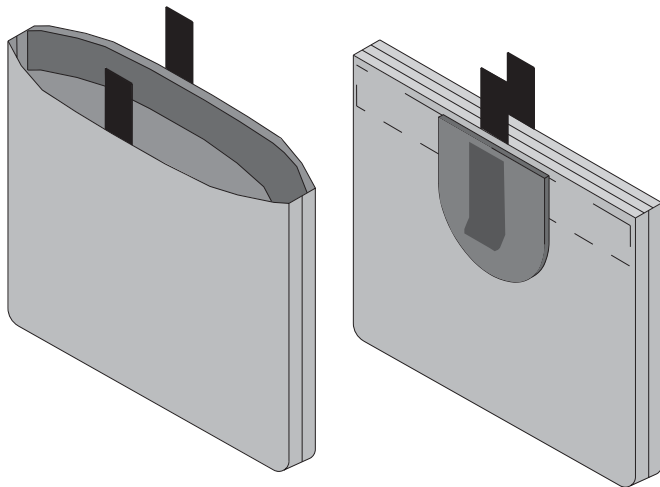
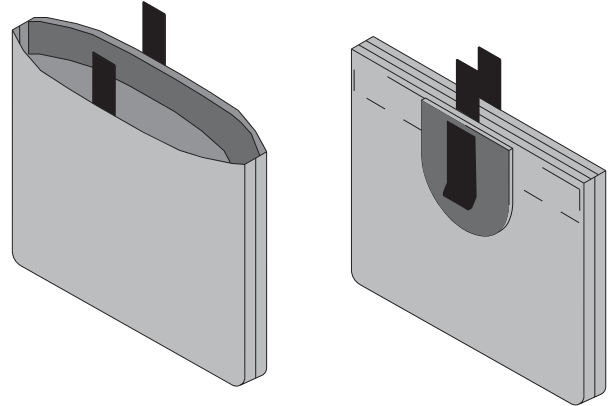
9 x 7 x 12

1000 denier neon yellow cordura nylon with clear PVC liner . Other colors available upon request.



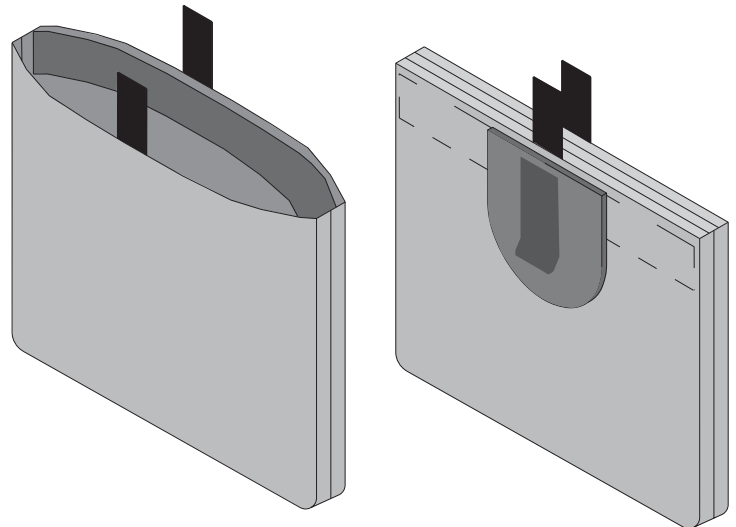
FC-CCP-1
SMALL PARTS
POUCH
4 x 4

Black cordura nylon exterior . Holds small parts such as c-clamps, pliers, tools, etc. Metal belt clip and hook and loop closure with pull tabs.



FC-CCP-2
SMALL PARTS
POUCH
6 X 7

Black cordura nylon exterior . Holds small parts such as c-clamps, pliers, tools, etc. Metal belt clip and hook and loop closure with pull tabs.



FC-CCP-3
SMALL PARTS
POUCH
7 x 9

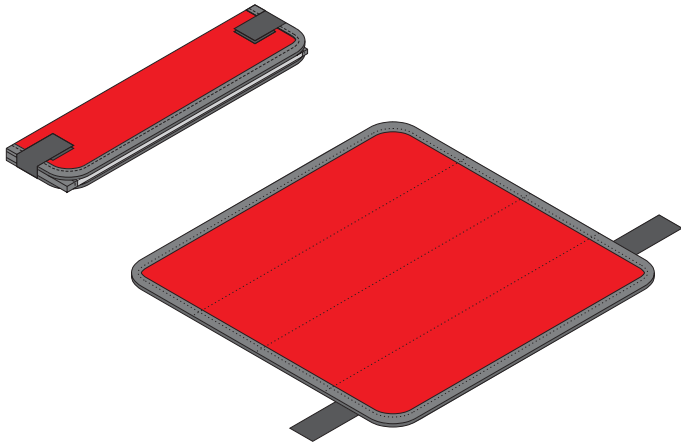
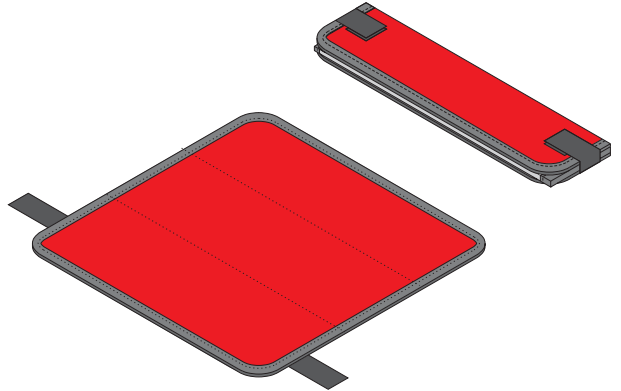
Black cordura nylon exterior . Holds small parts such as c-clamps, pliers, tools, etc. Metal belt clip and hook and loop closure with pull tabs.

PTP-TM-1

Tool Mat

12 x 15

Double sided red 18oz. vinyl coated polyester .
1/4" closed cell foam padding. Can be rolled up
for storage. Other colors available upon
request.



PTP-TM-2

Tool Mat

16 x 15

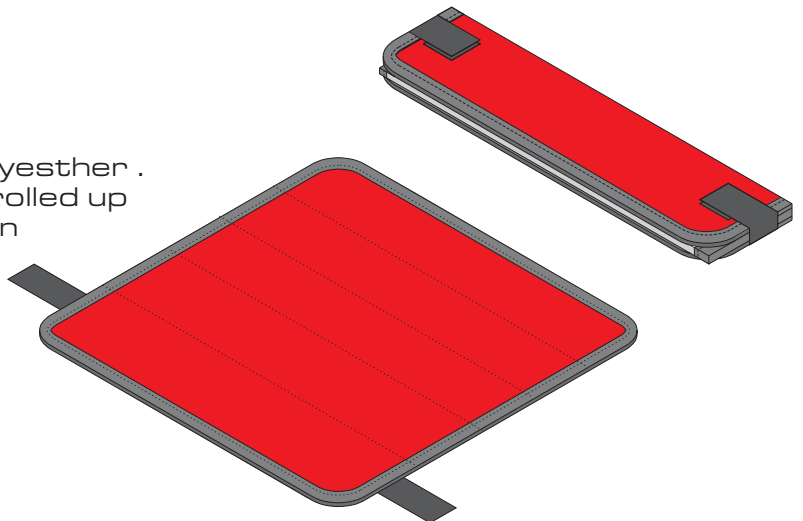
Double sided red 18oz. vinyl coated polyester .
1/4" closed cell foam padding. Can be rolled up
for storage. Other colors available upon
request.

PTP-TM-3

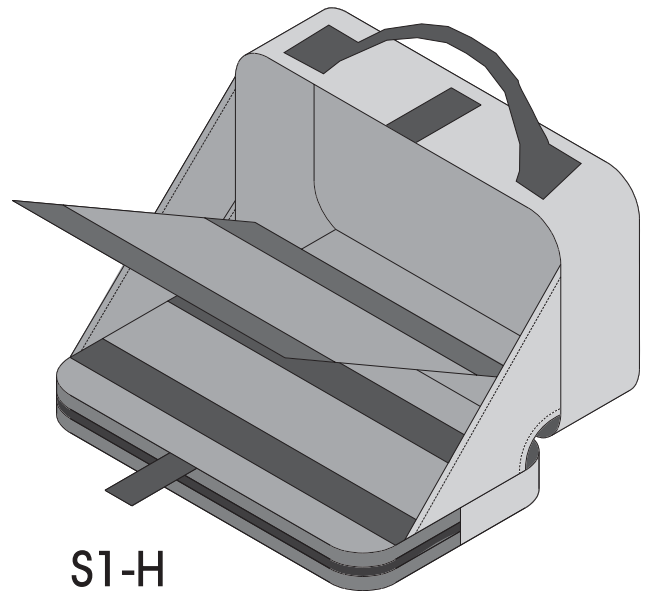
Tool Mat

20 x 15

Double sided red 18oz. vinyl coated polyester .
1/4" closed cell foam padding. Can be rolled up
for storage. Other colors available upon
request.



The S1-H and S1-W are ideal for small parts protection. Made from heavy weight polyester, these handy carrying bags come equipped with two polyethylene boxes, allowing for easy access and organization of small items. Great for storing and carrying screws, nuts, bolts, washers, and miscellaneous parts to and from the job site.



S1-H

The S1-H is a single handled carrying case made from black polyester. It comes equipped with a separate front zippered bag, mesh pockets, and two polyethylene storage boxes for the quick access and organization of small parts.

S1-W

The S1-W is a fanny pack style carrying case. Made from black polyester, the S1-W comes equipped with an adjustable waist belt with quick release buckle, two polyethylene storage boxes for the quick access and organization of small parts, a separate front zippered bag, and mesh pockets.

